

# Customized BGP Route Selection Using BGP/MPLS VPNs

Laurent Vanbever

Université catholique de Louvain, BE

Laurent.Vanbever@uclouvain.be

Pierre Francois (UCLouvain, BE), Olivier Bonaventure (UCLouvain, BE)  
and Jennifer Rexford (Princeton, USA)

Cisco Systems, Routing Symposium

Monday, Oct. 5 2009

# Customized BGP Route Selection Using BGP/MPLS VPNs

Introduction and motivation

Implementing CRS

Practical considerations and solutions

Conclusion

# Customized BGP Route Selection Using BGP/MPLS VPNs

Introduction and motivation

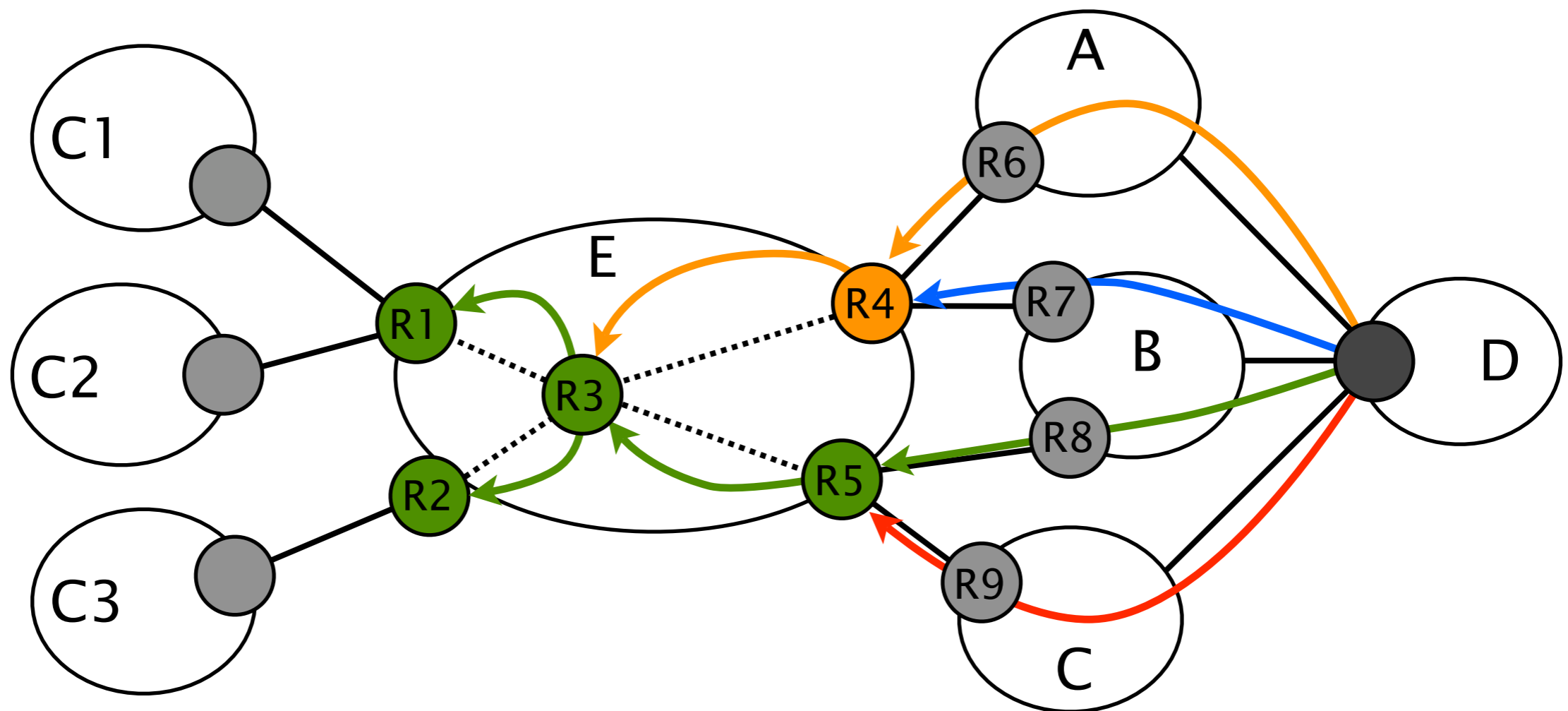
Implementing CRS

Practical considerations and solutions

Conclusion

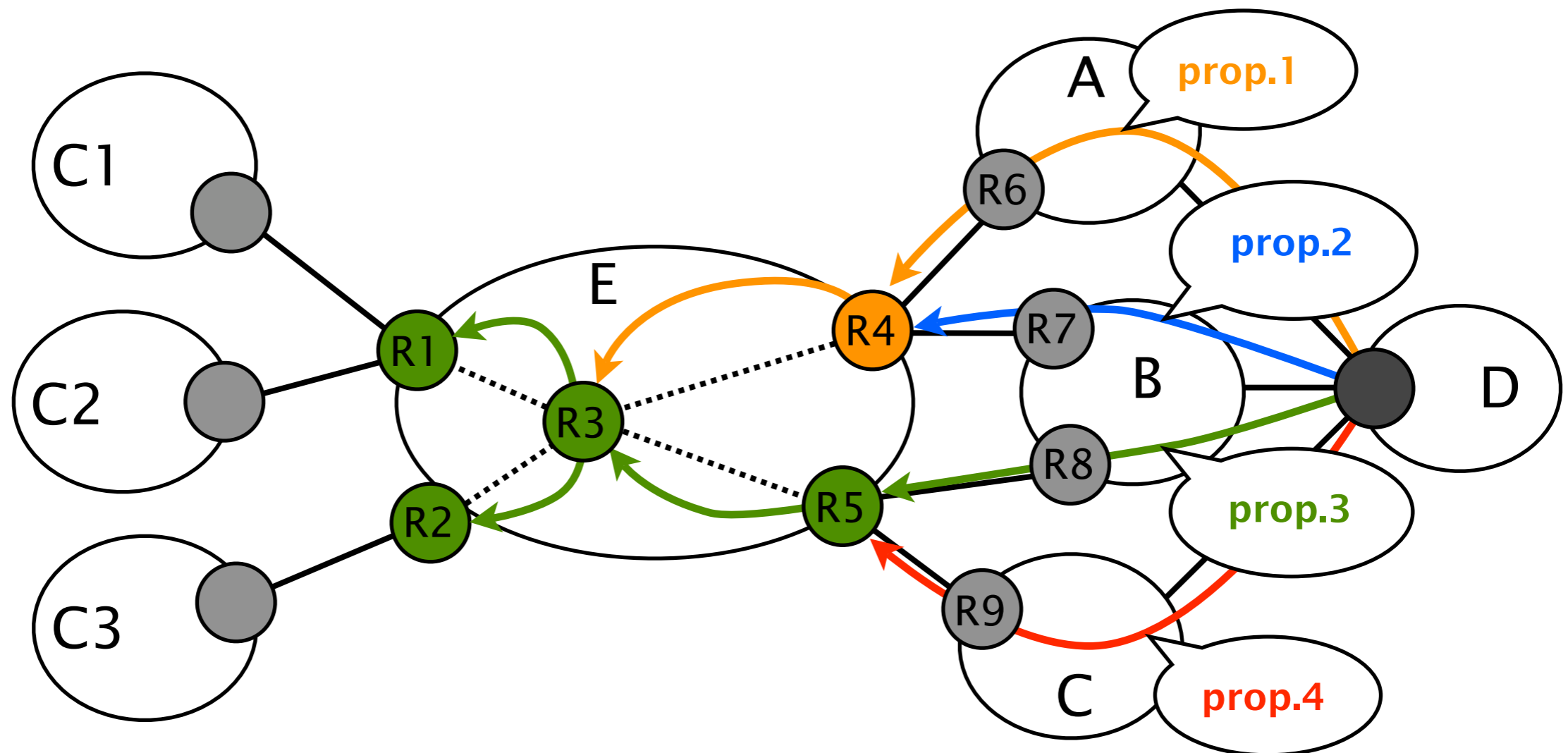
# BGP Route Selection: *One-route-fits-all* model

- A BGP router selects **one** best route for each destination
- Globally, AS E knows 4 paths towards D
  - Locally, some routers only know one path (*e.g.*, C1...C3)



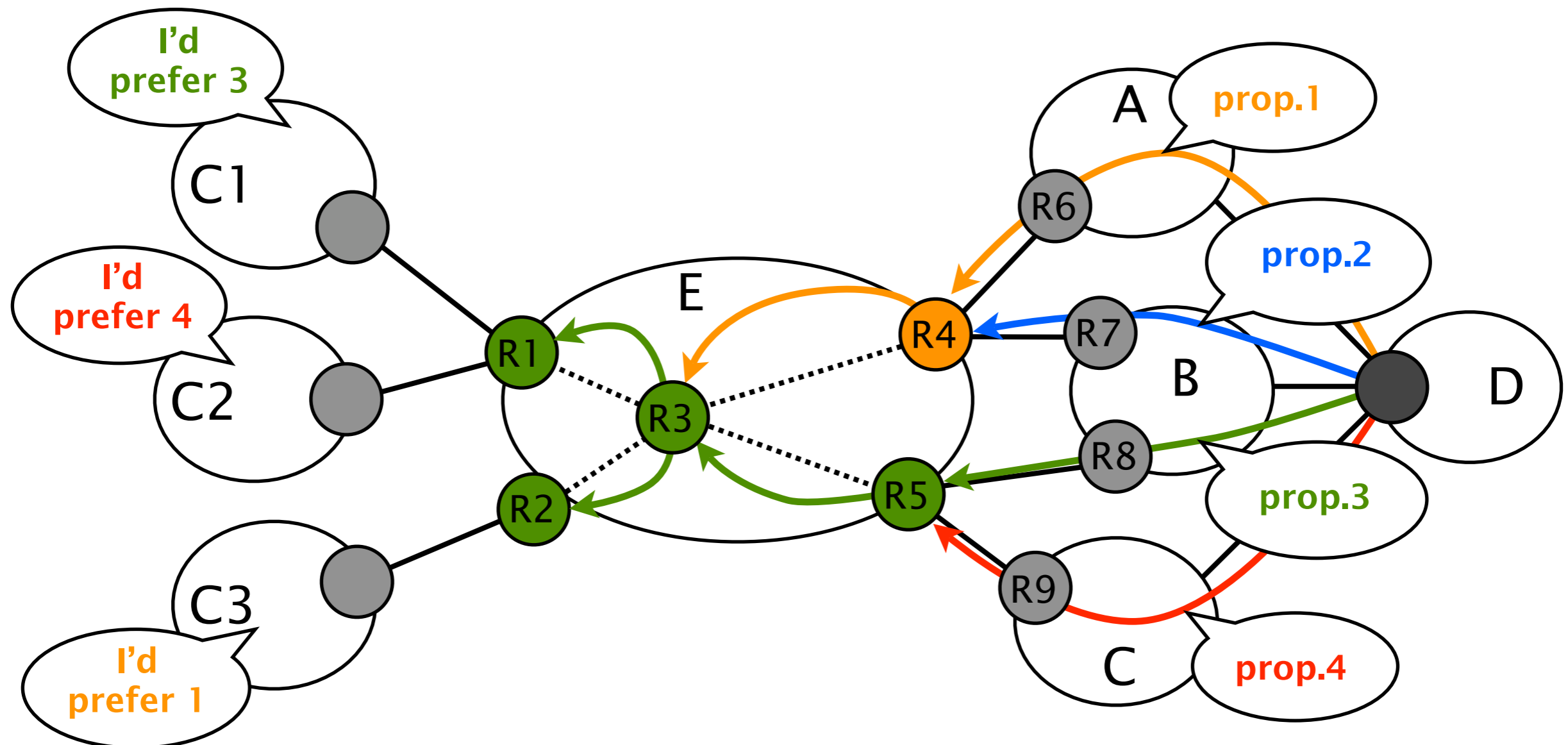
# BGP Route Selection: *One-route-fits-all* model

- Many ISPs have a rich path diversity
  - It is common to have 5-10 paths *per prefix*
- Different paths have different properties
  - It could be in terms of security, policies, etc.



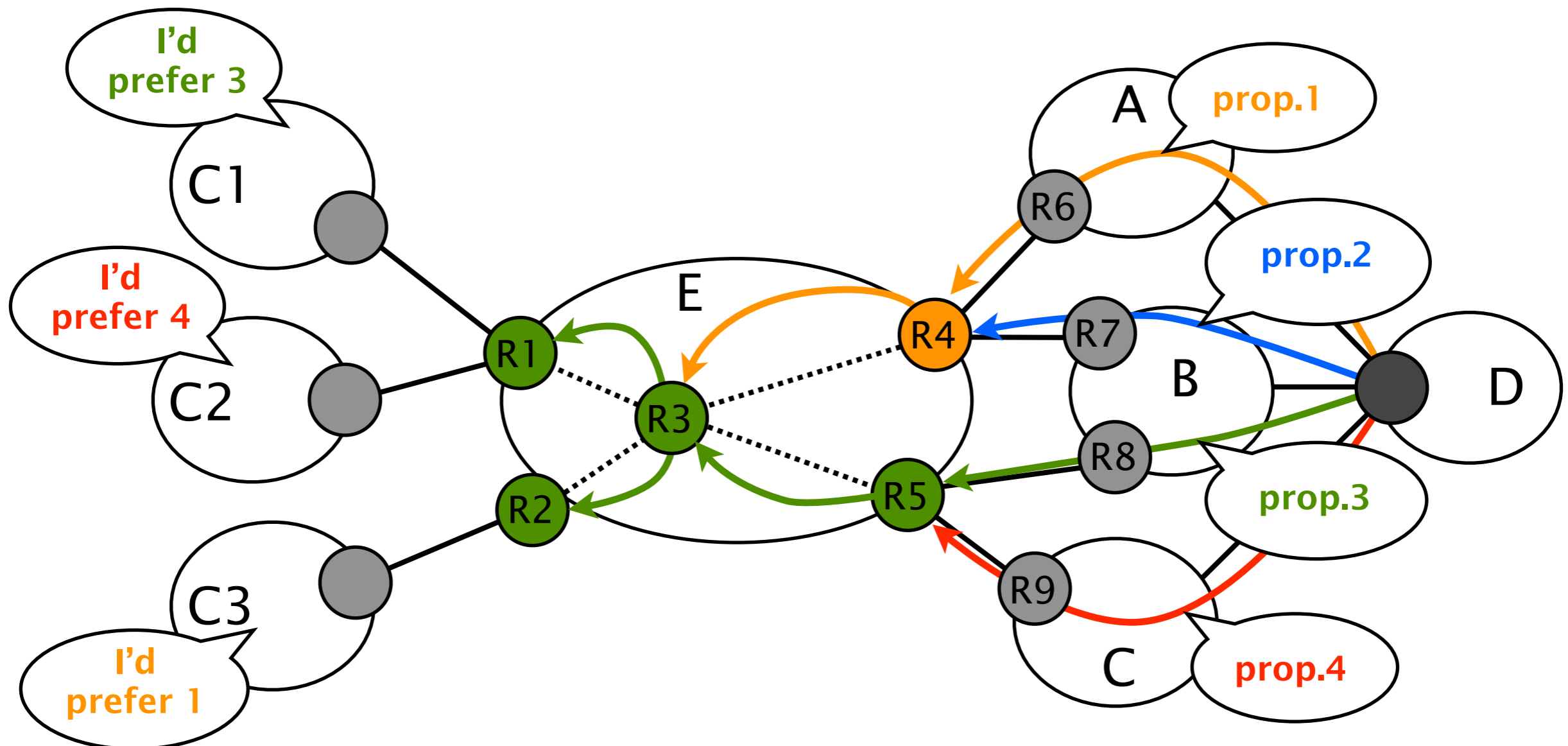
# BGP Route Selection: *One-route-fits-all* model

- Clients may want different paths to the same prefix
  - If C1 is a competitor of C, he'd prefer to reach D via A or B
  - C1 may even want to pay an extra fee for that



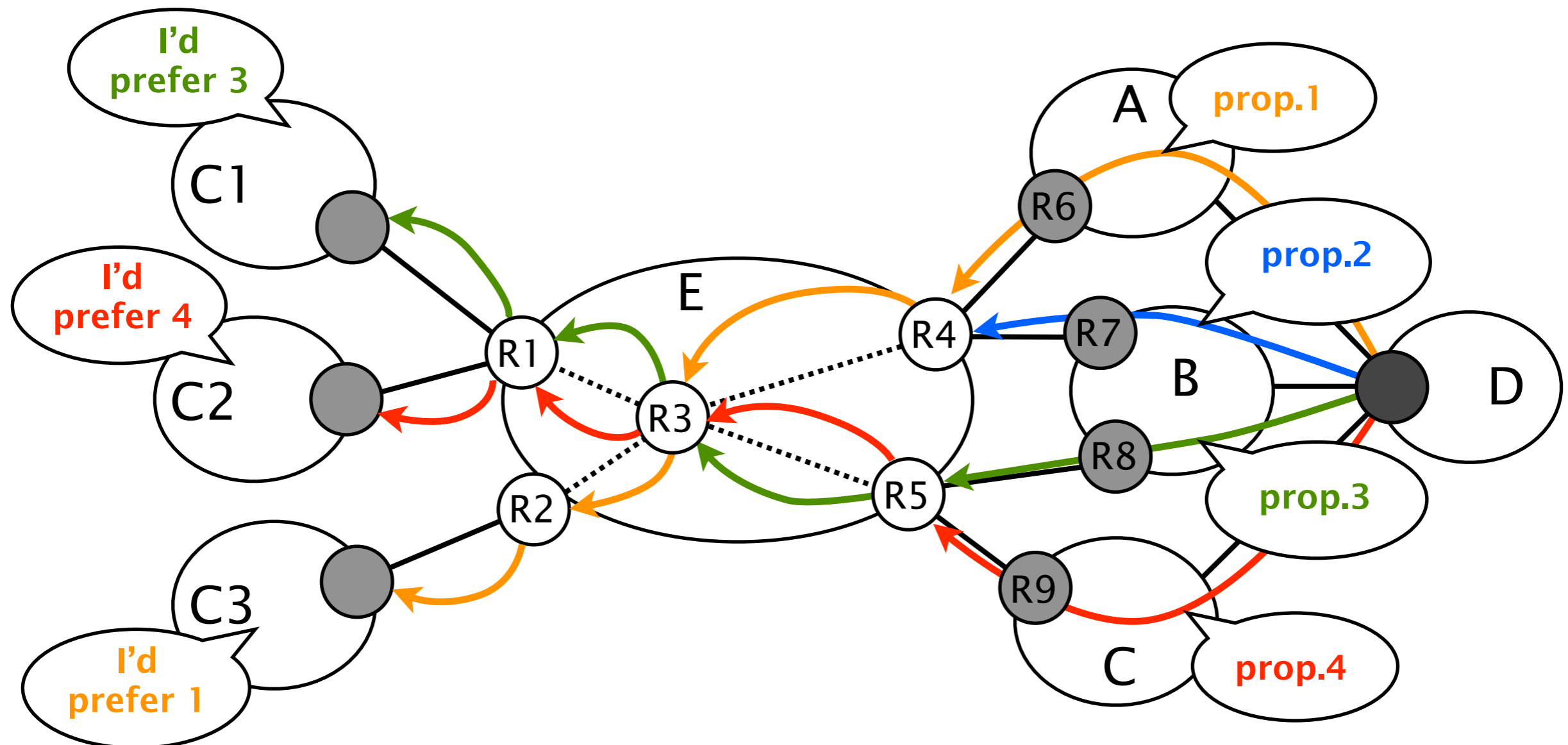
# BGP Route Selection: *One-route-fits-all* model

- With vanilla BGP, you *can't* match customers' preferences to available paths
- Customers of a given PE receive the same path



# CRS: Customized Route Selection

- Under CRS, one router can offer *different* interdomain routes to *different* neighbors
  - C1 reaches D via B, C2 reaches D via C





# Customized BGP Route Selection Using BGP/MPLS VPNs

Introduction and motivation

**Implementing CRS**

Potential issues and solutions

Conclusion

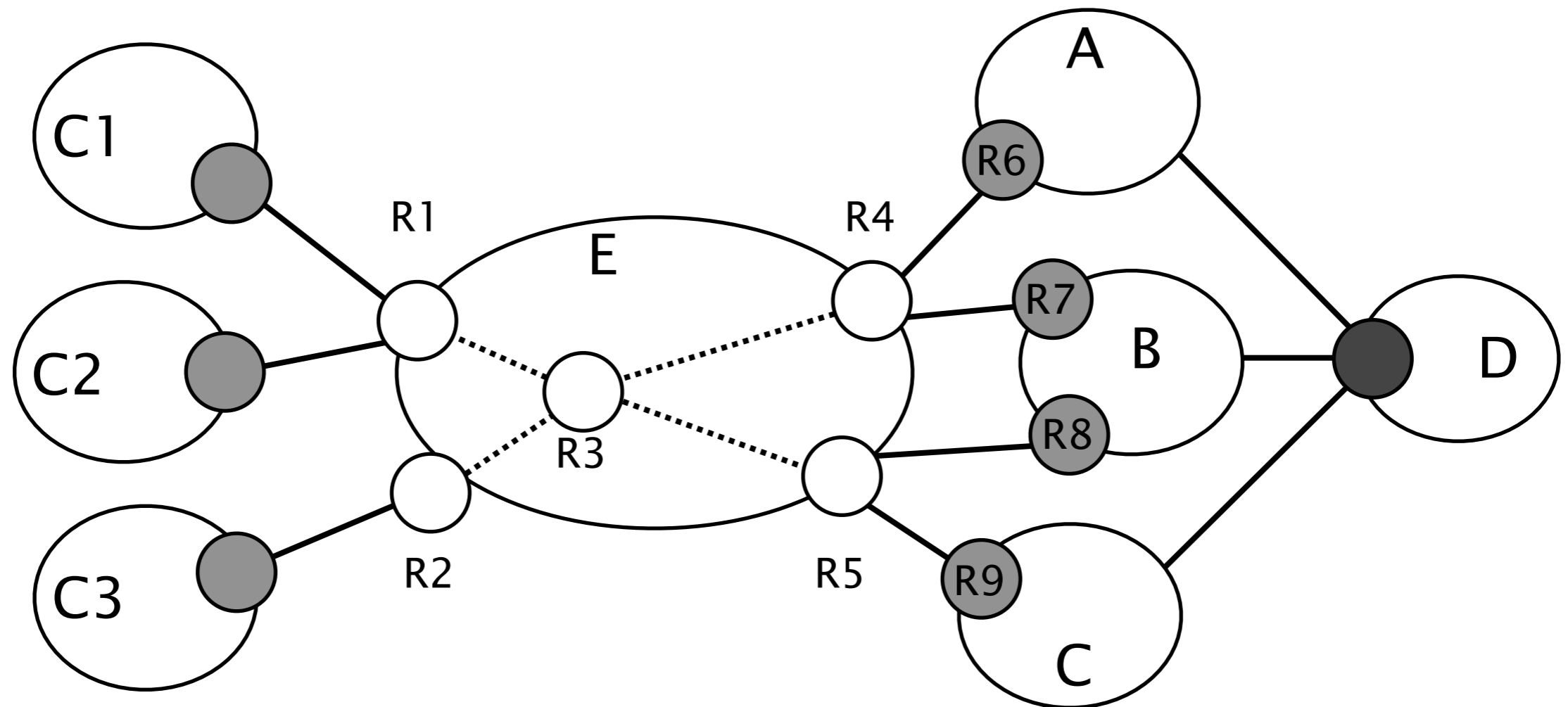
# Two notions: *class* and *service*

- A *class* is a set of routes sharing a property
  - *e.g.*, all the routes learned via provider *X*
  - One route can belong to more than one class
- A *service* is the union of one or more classes
  - Some classes can be preferred over others
  - *e.g.*, service *Y* is the union of *class 1* and *class 2* where preference is given to *class 1*

# What do we need to implement CRS with BGP MPLS VPNs ?

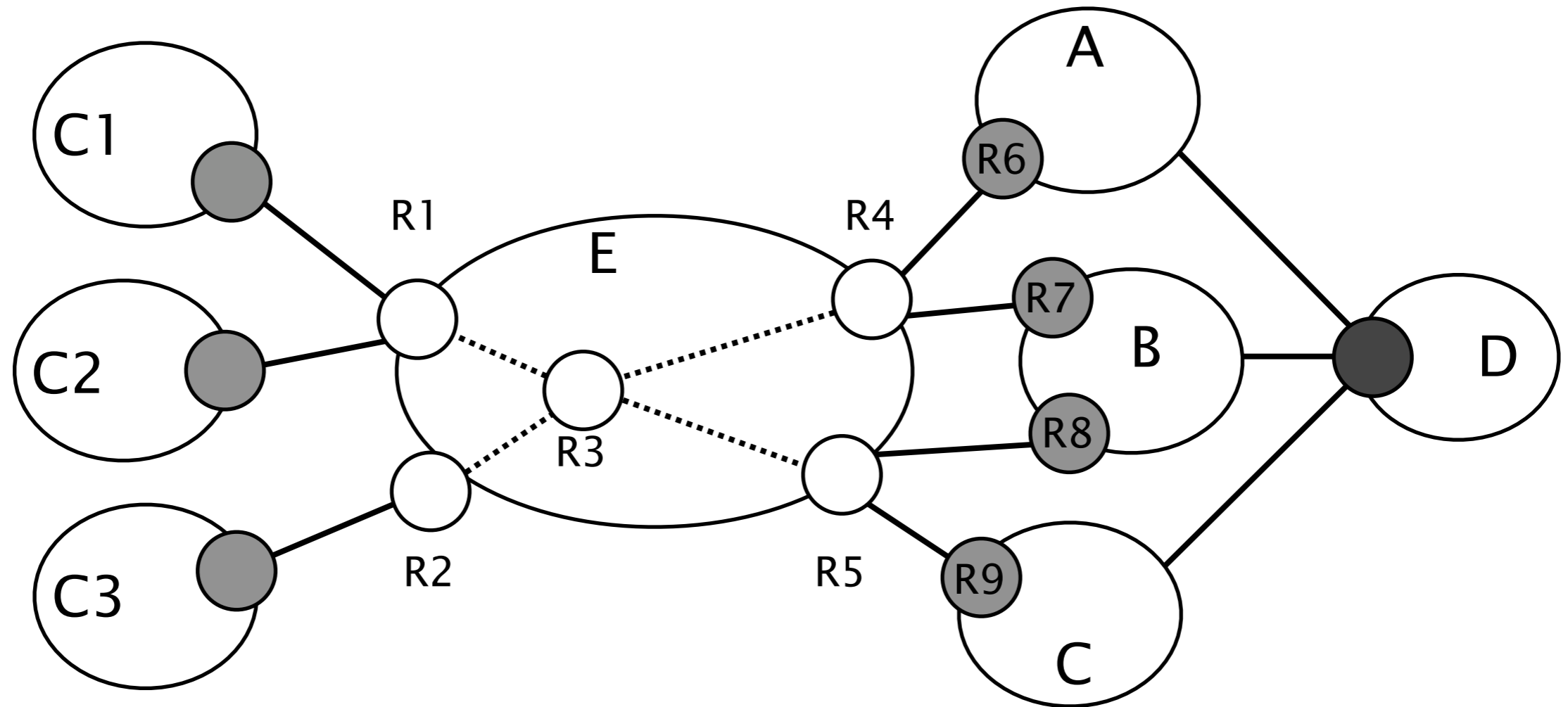
- Mechanisms to *disseminate* and *differentiate* paths
  - Multiprotocol BGP is used as dissemination protocol
  - Route Targets (RT) are used to identify classes
  - Route Distinguishers (RD) are used to ensure diversity
- *Customized* route selection mechanisms at ASBR
  - Use Virtual Routing and Forwarding (VRF) instances to build services
- Traffic forwarding on the chosen paths
  - MPLS tunneling

# How do we implement CRS with BGP MPLS VPNs ?

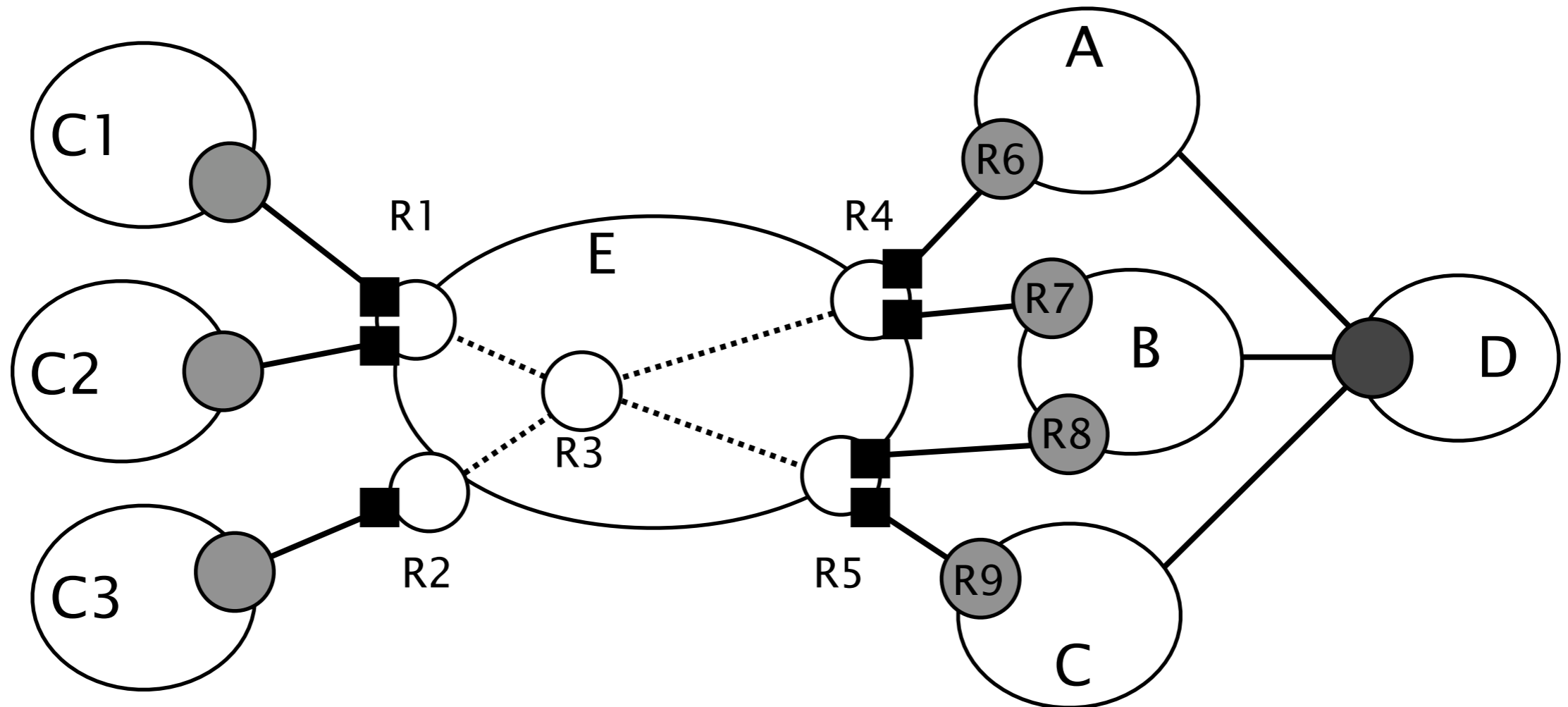


- C1 wants to reach D via B, C2 via C
- Define two services on R1: *prefer B (resp. C) routes*
- Define three classes: *learned via A, B or C*

# How do we implement CRS with BGP MPLS VPNs ?



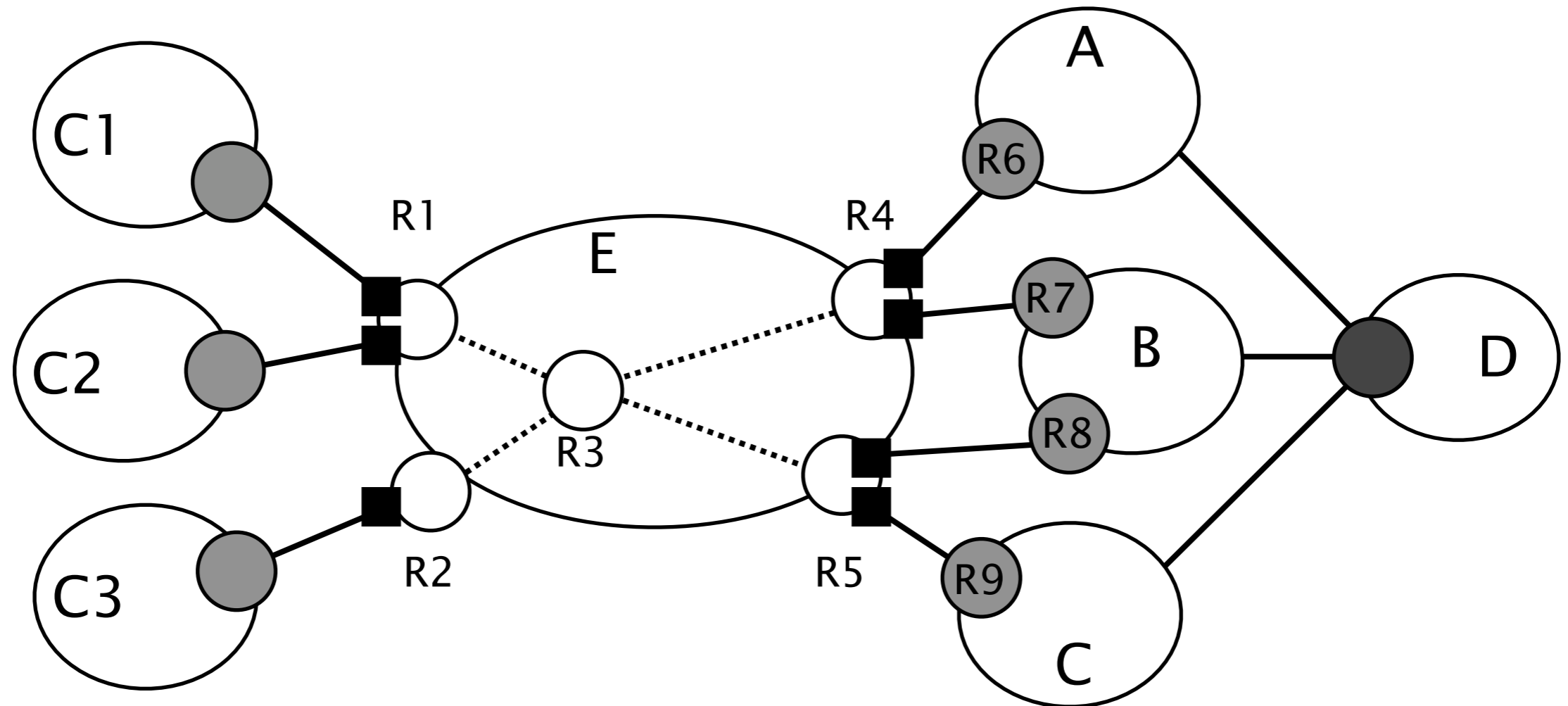
# How do we implement CRS with BGP MPLS VPNs ?



- Consider peers as VPNs and put them in VRFs

# How do we implement CRS with BGP MPLS VPNs ?

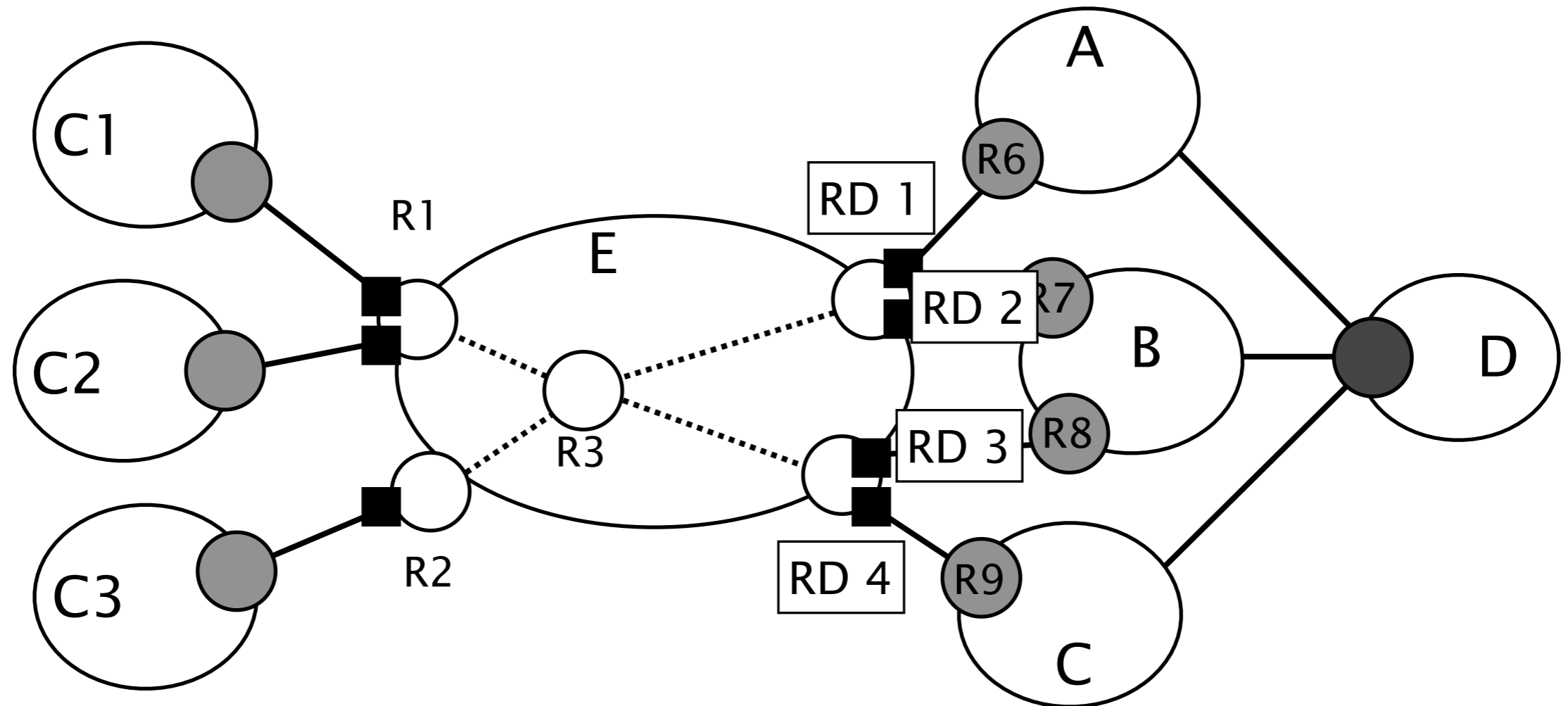
Route Targets
101: <i>learned via A</i>
102: <i>learned via B</i>
103: <i>learned via C</i>



- Consider peers as VPNs and put them in VRFs
- Use RT to identify *classes*

# How do we implement CRS with BGP MPLS VPNs ?

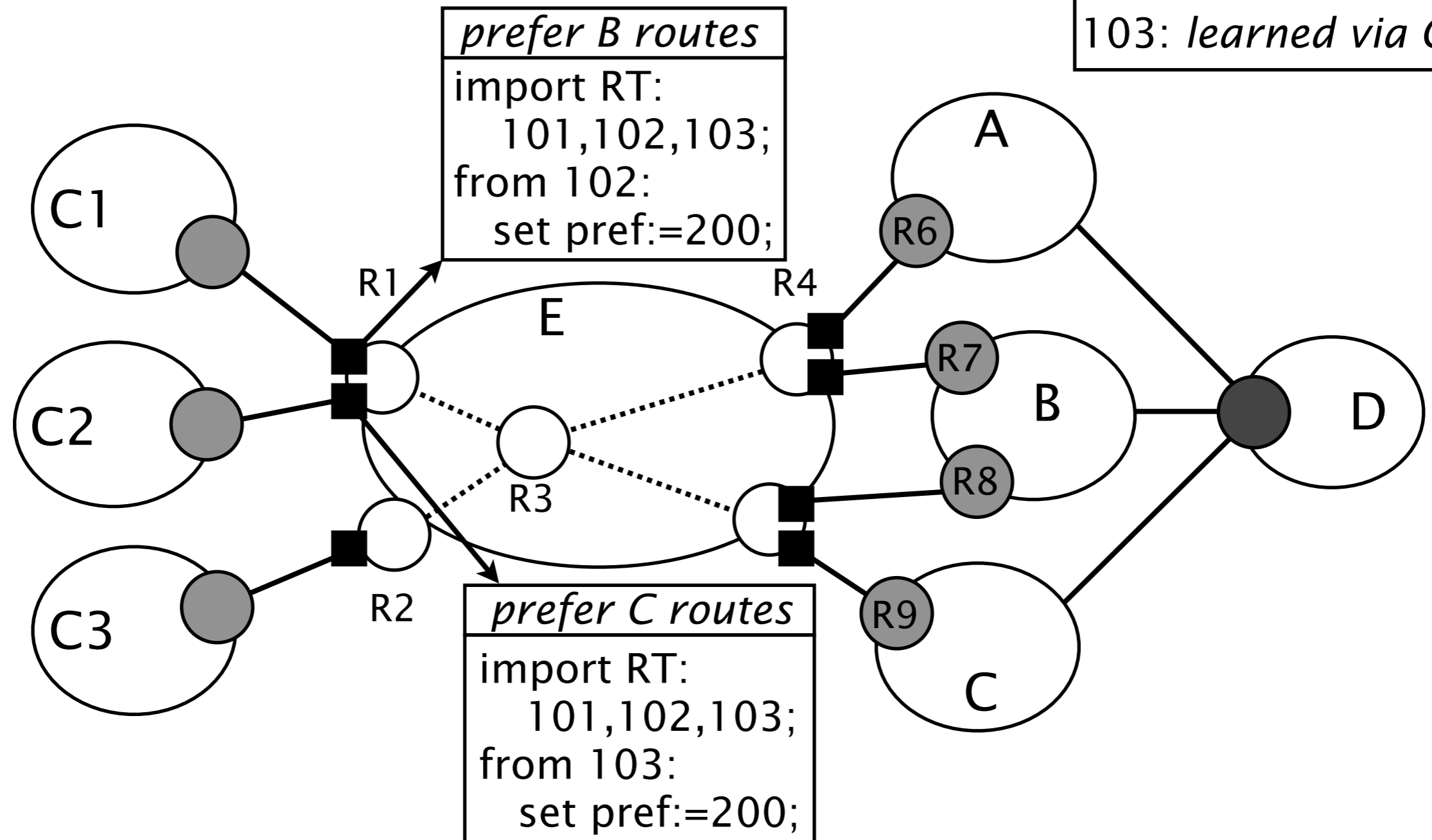
Route Targets
101: <i>learned via A</i>
102: <i>learned via B</i>
103: <i>learned via C</i>



- Consider peers as VPNs and put them in VRFs
- Use RT to identify *classes*
- Use different RD to differentiate routes



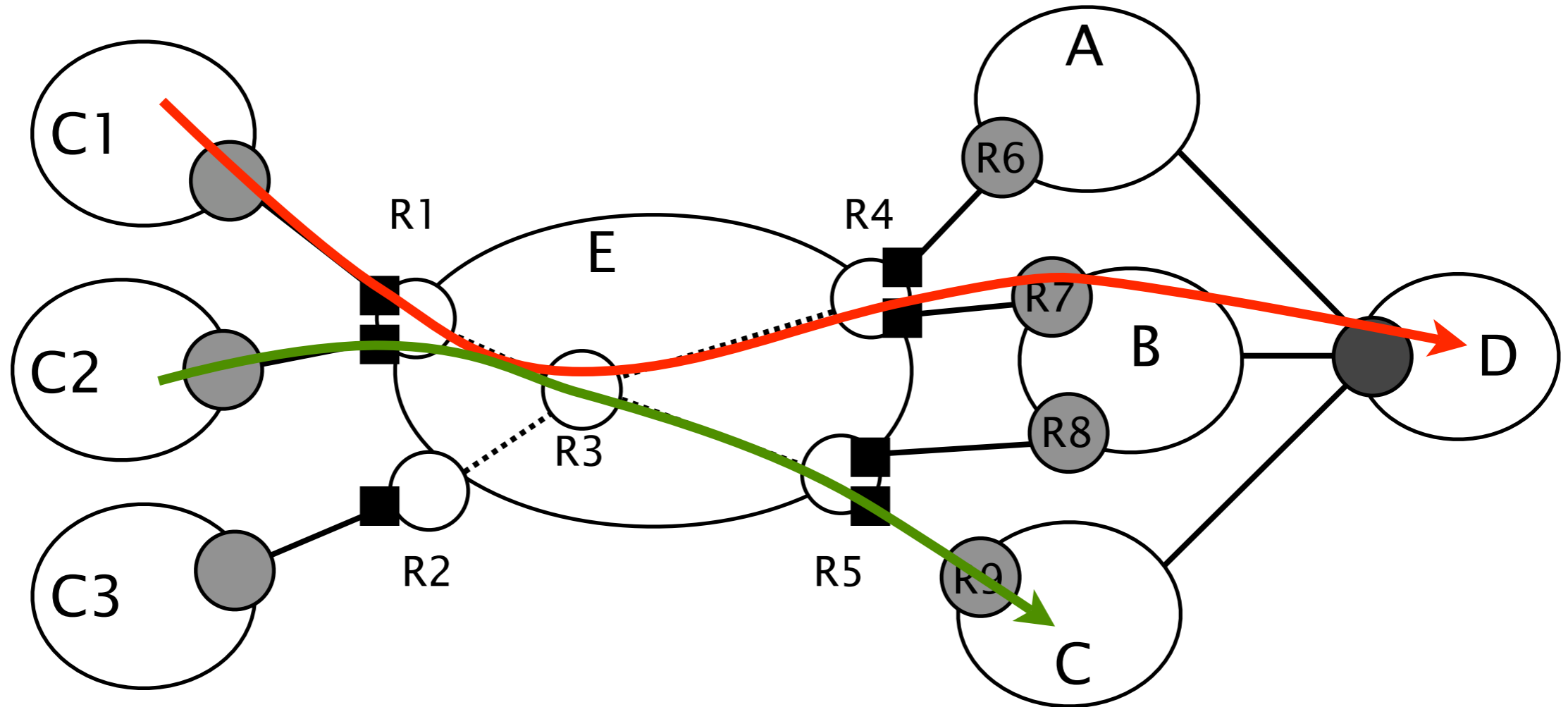
# How do we implement CRS with BGP MPLS VPNs ?



- Define *services* by using VRFs' import filters

# How do we implement CRS with BGP MPLS VPNs ?

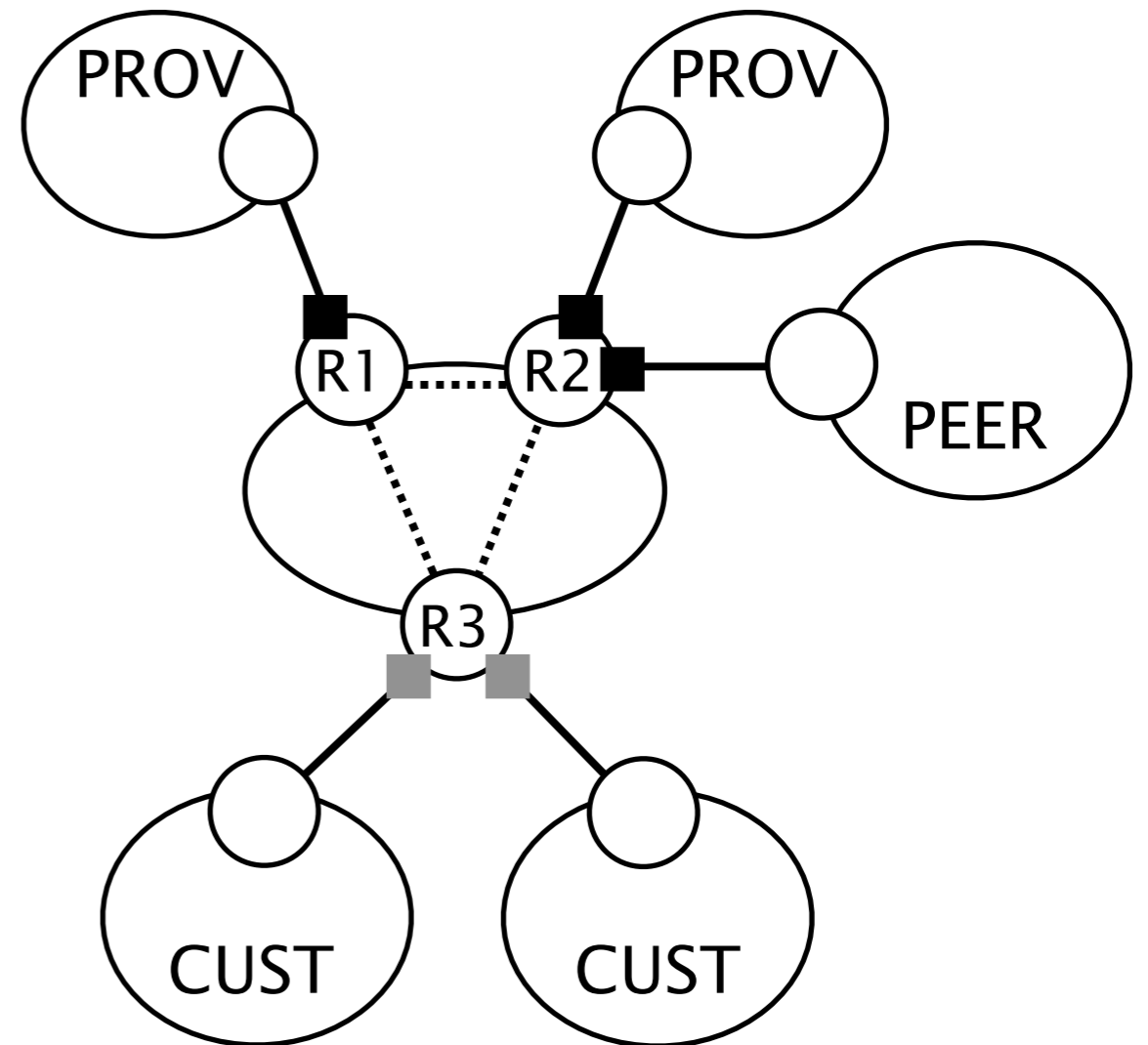
Route Targets
101: <i>learned via A</i>
102: <i>learned via B</i>
103: <i>learned via C</i>



- MPLS is used for forwarding
  - Two levels label stack
  - R3 only knows label to reach the PEs

# CRS applied to *classical* policies

- Define three classes
  - Providers (RT 100)
  - Peers (RT 101)
  - Customers (RT 102)
- Define two services
  - VRF Provider/Peer (■)
    - *import RT 102;*
  - VRF Customers (■)
    - *import RT 100,101,102;*
- Thanks to VRF isolation, policies violations vanish



# Customized BGP Route Selection Using BGP/MPLS VPNs

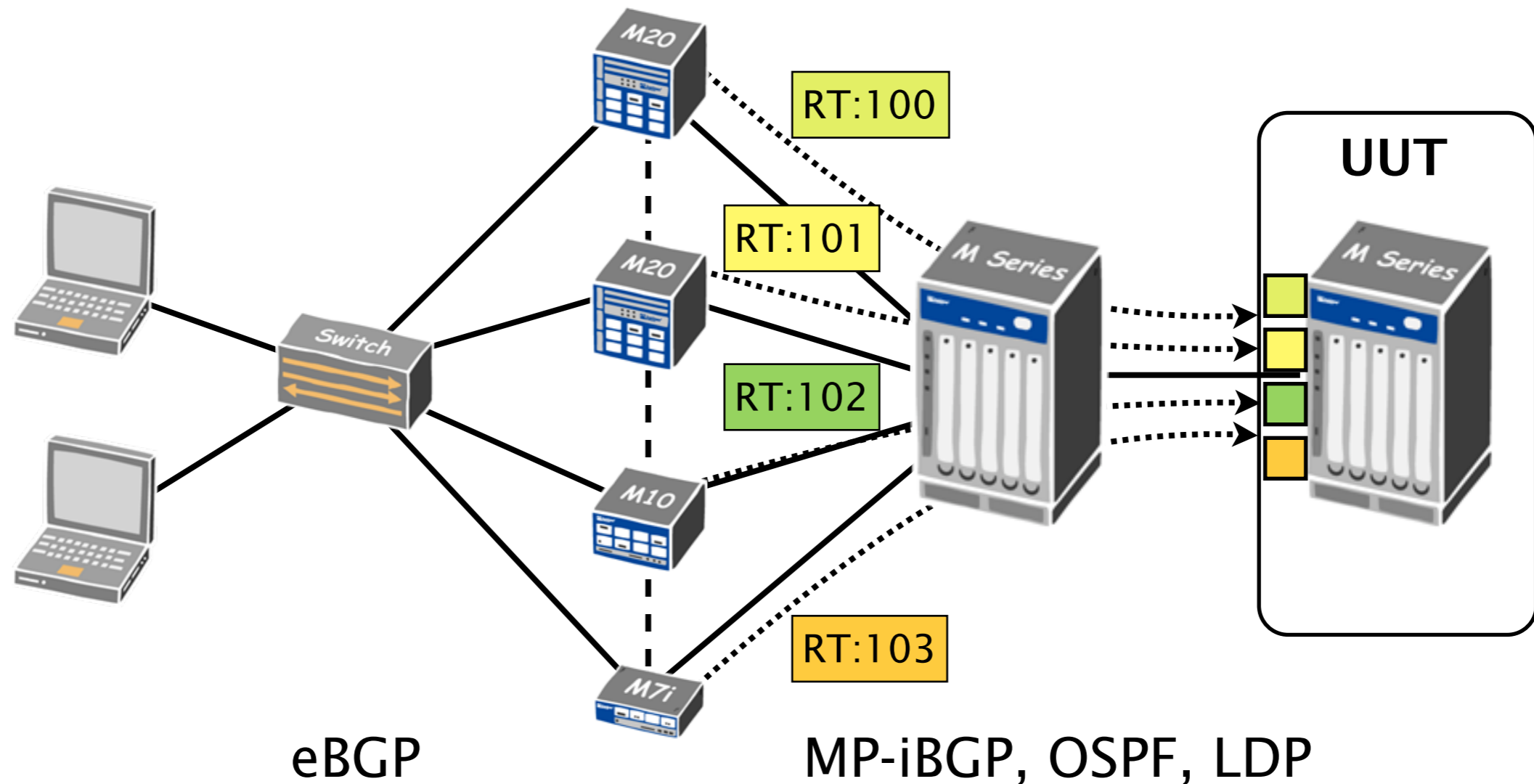
Introduction and motivation

Implementing CRS

**Practical considerations and solutions**

Conclusions

# Is CRS pushing a M120 to the limit ?



Four services are defined on the Unit Under Test (UUT)

- Each service is fed with one class (one RT)
- In each class, ~300k routes (1 path per route)
- In the end, 1.200.000 routes in **RIB & FIB**

# Is CRS pushing a M120 to the limit ?

- UUT was a Juniper M120 [JunOS 9.3R2.8]
  - Routing Engine (RE) has 4 GB DRAM
  - Forwarding Engine Boards (FEB) have 512 MB DRAM

	RE	FEB
<i>empty</i>	17%	9%
<i>fully-loaded</i> (1.200.000 routes)	38%	39%

- FIB could handle more than 2.000.000 routes
  - Enough to support a few services *without* modifications

# More services ?

## *scalability* and...*scalability*

- Routes *dissemination* overhead
  - **All** PEs receive **all** VPN routes
  
- Routes *storage* overhead
  - RIB
    - Modest performance demand
    - Add more DRAM to support CRS ?
  - **FIB**
    - CRS's biggest challenge
    - Sharing between the VRFs in the FIB ?

# How could we improve CRS FIB's scaling: *Selective VRF Download*

- By default, *all* VRFs are installed on *all* line cards

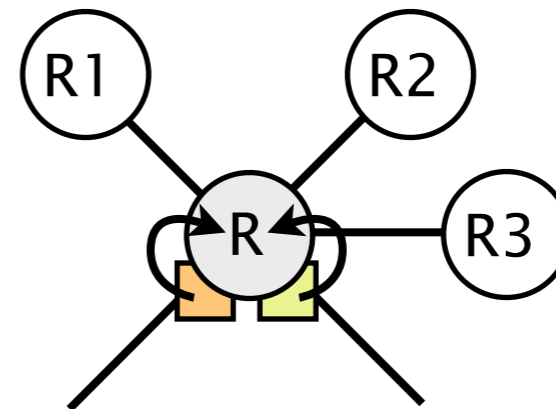
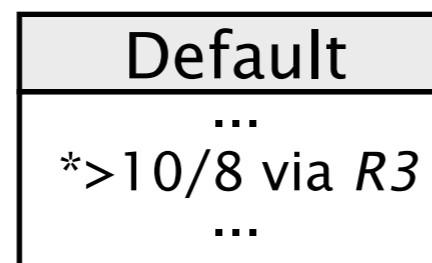
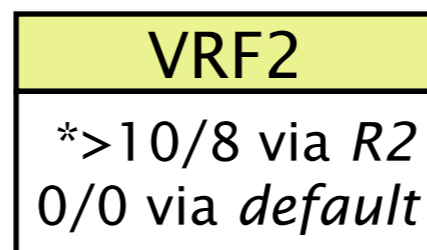
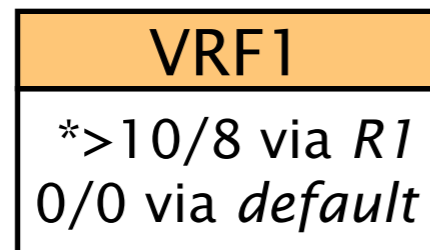
Slot	State	Temp (C)	CPU Utilization (%)		Memory DRAM (MB)	Utilization (%)	
			Total	Interrupt		Heap	Buffer
2	Online	24	1	0	512	39	59
3	Online	28	1	0	512	39	59

- Customers ask for the same services ?
  - Connect them on the same line card
  - Download VRFs only to line cards that need them
- It could be a management nightmare...



# How could we improve CRS FIB's scaling: *Cross-VRF Lookup*

- Specific routing for a small set of prefixes ?
  - Create one small VRF *per service*
  - Add default entry towards a default VRF
- The price to pay is 2 IP lookups

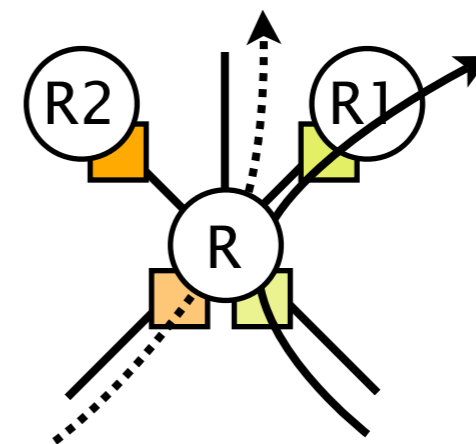


# How could we improve CRS FIB's scaling: *Distributed VRF*

- Distribute VRFs among routers which can afford extra load
  - PEs do not maintain complete VRFs anymore
  - PEs default route traffic towards these routers
- Increase in latency and load
- Distributed version of *Cross-VRF Lookup*

R maintain small VRFs  
and default rest to R1 or R2

→ detour path  
.....→ direct path



# Customized BGP Route Selection Using BGP/MPLS VPNs

Introduction and motivation

Implementing CRS

Practical considerations and solutions

**Conclusion**

# *CRS is feasible*

- *Implementable*
  - It can be realized on today's routers
  - It uses well known BGP MPLS/VPNs techniques
- *Scalable (for a few services)*
  - “Modest” message and storage overhead
  - Lab experiments tend to confirm that
- *Guaranteed interdomain convergence*
  - Extra flexibility does not compromise global routing stability<sup>1</sup>

<sup>1</sup> Proof in SIGMETRICS'09 paper by Y. Wang, M. Schapira, and J. Rexford

# Customized BGP Route Selection Using BGP/MPLS VPNs

Questions ?

Cisco Systems, Routing Symposium

Monday, Oct. 5 2009